



Questions about the offer preparation – Cleaning balls

Firm	
Name	
Street	
City	
Tel.:	
E-Mail	

Article: rotary cleaning ball
 Target jet cleaner

Material: 1.4404 / 1.4401
 Hastelloy (C4 / C22)

Other: _____

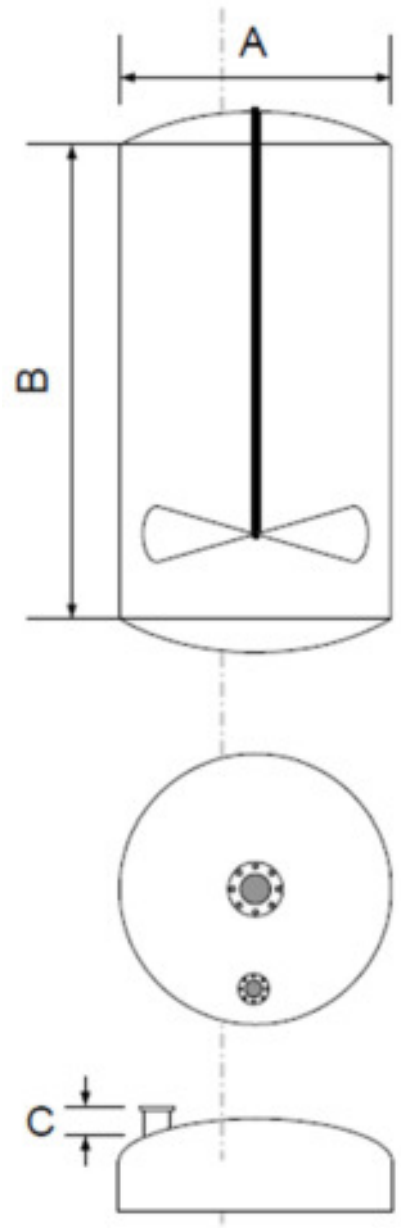
ATEX: No Yes

Connection: Thread
 Welded connection
 Split pin secured pluggable

Size: _____ Quantity: _____
 Help to choose the right size is given in the table on page 2 of the catalog

We will be happy to support you in selecting the most optimal equipment:

I would like advice by telephone	<input type="checkbox"/>
Make an appointment for a visit to discuss the project with me	<input type="checkbox"/>
Please contact Mr./Mrs. _____ Tel. Number: _____	<input type="checkbox"/>



We will be glad to help you with the design of the required nozzles. Please enter the approximate dimensions of your tank, usable nozzles, as well as possible interfering installations.

Dimensions	
A	mm
B	mm
C	mm
Radius	mm
Volume	mm

Comments

Due to the large number of different variants, target jet cleaners are only offered after discussion of the application.